

# PHARMA-SLIDE® BSS

HIGH PERFORMANCE BI-PARTING STAINLESS STEEL DOOR

## The Only Seamless, Stainless Steel Sliding Pharmaceutical Door Available.

With input from pharmaceutical engineers in the United States and Europe, the Pharma-Slide BSS is designed to meet cGMP guidelines, and to be the tightest sealing, most reliable sliding door available today. The Pharma-Slide BSS is offered in a variety of models with options to meet any pharmaceutical or clean room application.

The powered, bi-parting Pharma-Slide BSS is available with 304 or 316 stainless steel. The standard stainless steel hood, track, and hardware assembly allow for all types of washdown conditions. The door's smooth surface, with no seams or fasteners, allows for easy cleaning. The door seals are an integral part of the door panel and require no fasteners for attachment.

*Shown with optional windows and Pharma-Guard bollards.*



**Fast** - Opens at up to 64 inches per second with independent, adjustable opening and closing speeds to meet any application.

**Easy to Clean** - Available in 304 or 316 stainless steel with no seams on most sizes. No exposed fasteners provide for a smooth, easy to clean surface.

**Flush Windows** - Optional windows are flush with the panel surface, have no fasteners and can be easily replaced if necessary.

**Safety** - Adjustable speed allows for smooth, easy opening and closing. The standard safety circuitry reverses on obstruction by monitoring both directions of door movement. Dual electric photo eyes in door frame are standard.

**Tight Seal** - Specially designed, non-marking grey door seals provide a tight seal and are easy to replace. The seal retainers are an integral part of the door panel and require no fasteners.

**Manual Release** - The power operated Pharma-Slide BSS can be opened manually in the event of power failure.



**Driving The Door Industry.™**

# PHARMA-SLIDE® BSS

HIGH PERFORMANCE BI-PARTING STAINLESS STEEL DOOR

**Specifications:** Subject to change

**Model:** Rytec® Pharma-Slide® BSS  
Bi-Parting Stainless Steel Door

**Standard Size:** Up to 8 feet wide by 10 feet high. Consult factory for special sizes.

**Door Panel:** Constructed of 304 or 316 stainless steel. No visible seams for panels up to 56 inches wide. Panel suspension designed for even weight distribution to reduce component stress. Door panel is adjustable in the vertical and horizontal position to maintain a tight seal. Optional, dual-pane vision panel is flush with door panel. Panel guide system is attached to the door frame and not drilled into the floor.

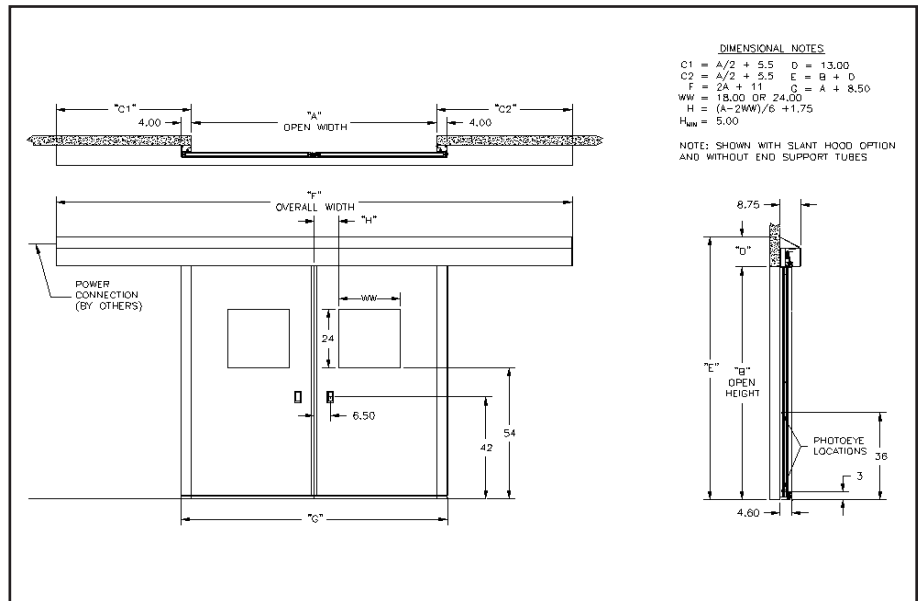
**Door Seal:** Leading edge, bottom, head and jamb seals provide tight, effective, full-perimeter seal. Seal assemblies are non-marking grey and slide in and out for easy replacement with no visible fasteners. The seals are attached to channels that are formed into the door panel.

**Side Frames / Head / Track Assembly:** Custom made to your specifications, in 304 or 316 stainless steel. Modular design for fast and easy installation. Designed for easy cleaning.

**Door Safety:** Open and closing speeds are easily adjusted, permitting the user to set the speeds. The standard safety circuitry reverses on obstruction by monitoring both directions of door movement. Dual thru-beam photo eyes in door frame are standard.

**Manual Release:** In the event of a power failure, the door can be opened manually.

**Drive System and Controls:** Single-phase, 120V operator provides soft acceleration and deceleration. Independent opening and closing speeds provide flexibility to accommodate any application. Membrane controls mounted on head assembly are very accessible and easy to clean. Various door activation options are available.



**Flush Pull Handles**  
Standard pull handles are seamless and require no fasteners.



**Pharma-Guard Stainless Steel Bollard**  
Optional Pharma-Guard stainless steel bollard with sloped top is easy to clean, minimizes accumulation of contaminants and provides protection for the door.



**Flush Vision Panel, With No Fasteners**  
Optional, replaceable, dual-pane window, with no fasteners, is flush with the door panel permitting easy cleaning and maintenance.

**Travel Speed:** Opens at up to 64 inches per second.

**Stainless Steel Bollards:** Optional Pharma-Guard™ seamless, stainless steel, bollards with sloped tops to minimize accumulation of contaminants are available.

**Warranty:** One-year limited warranty on materials and workmanship.



One Cedar Parkway  
Jackson, WI 53037-0403  
Phone: 262-677-9046  
Fax: 262-677-2058  
Toll Free: 888-GO-RYTEC  
Email: info@rytecdoors.com  
Web: www.rytecdoors.com